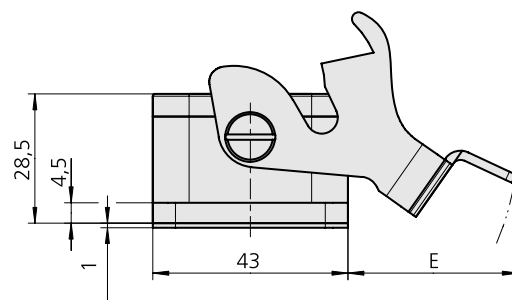
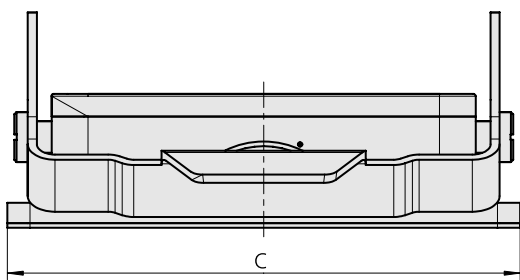


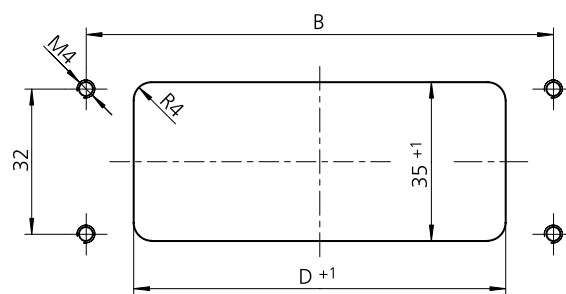
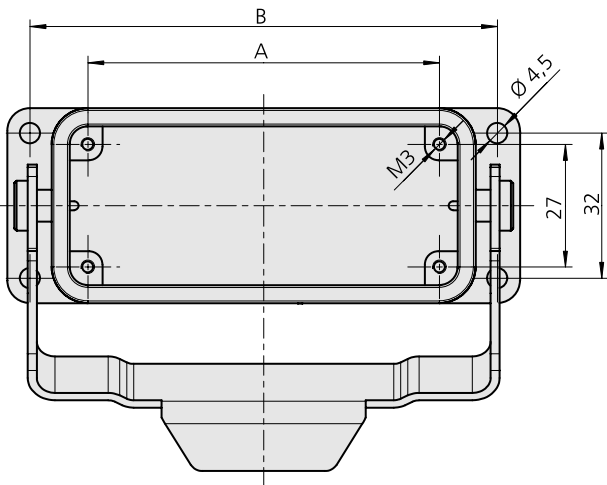
**ODU MAC DIN Housing**  
**Panel-Mounted Base including lever locking**

(standard colour of housing: grey)

**IP 65** in mated condition



Panel Cut-Out

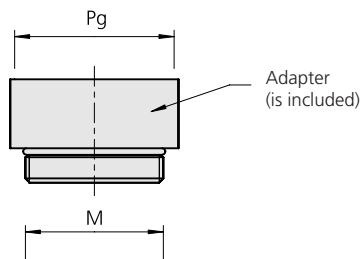


Size	Part number Panel-Mounted Base without cover	Part number Panel-Mounted Base with cover	Dim. A	Dim. B	Dim. C	Dim. D	Dim. E
1	490 130 400 644 000	490 131 400 644 000	44	70	80	48	ca. 25
2	491 130 400 644 000	491 131 400 644 000	57	83	93	60	ca. 35
3	492 130 400 644 000	492 131 400 644 000	77.5	103	113	82	ca. 35
4	493 130 400 644 000	493 131 400 644 000	104	130	140	108	ca. 35

**ODU MAC DIN Housing**  
**Cable Hood - with straight or right angled exit**  
 for lever locking  
**IP 65** in mated condition



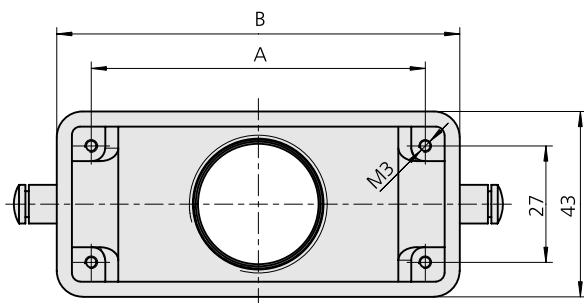
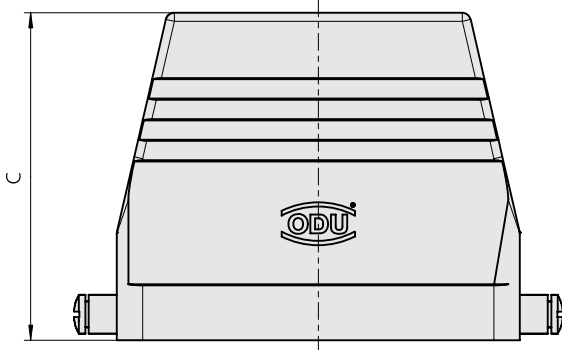
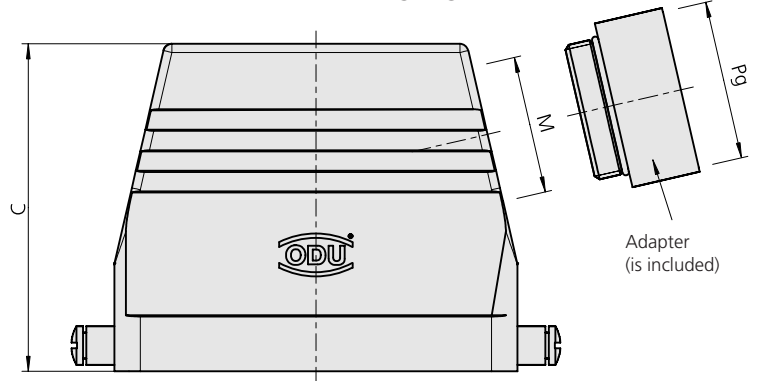
Straight exit



Part Number Adapter

Exit M	with adapter Exit PG	Part number
M25 x 1,5	PG 21	921 000 006 000 254
M32 x 1,5	PG 29	921 000 006 000 255

Seitlicher Kabelausgang

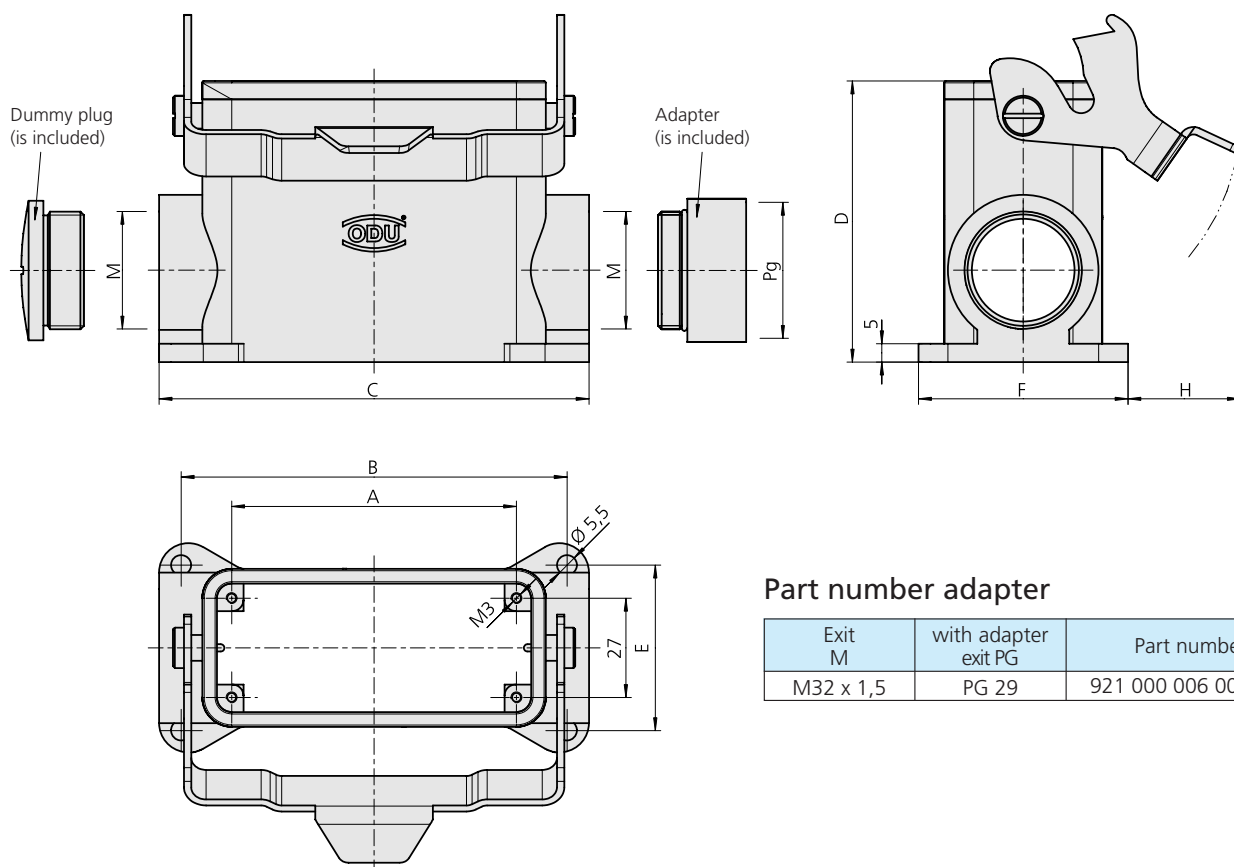


Cable gland see page 75.

Size	Part Number Cable Hood Right angled exit	Part Number Cable Hood Straight exit	Dim. A	Dim. B	Dim. C	Exit M	Exit PG
1	490 414 450 644 000	490 214 450 644 000	44	60	48	M 25 x 1,5	21
1	490 415 450 644 000	490 215 450 644 000	44	60	70	M 32 x 1,5	29
2	491 414 450 644 000	491 214 450 644 000	57	73	50	M 25 x 1,5	21
2	491 415 450 644 000	491 215 450 644 000	57	73	70	M 32 x 1,5	29
3	492 415 450 644 000	492 215 450 644 000	77,5	93,5	76	M 32 x 1,5	29
4	493 415 450 644 000	493 215 450 644 000	104	120	78	M 32 x 1,5	29

On request: clutchbell housing for cable-cable connection.

**ODU MAC DIN Housing**  
**Box-Mounted Base including lever-locking**  
**IP 65 in mated condition**



**Part number adapter**

Exit M	with adapter exit PG	Part number
M32 x 1,5	PG 29	921 000 006 000 255

Size	Part number Box-Mounted Base without cover	Part number Box-Mounted Base with cover	Dim. A	Dim. B	Dim. C	Dim. D	Dim. E	Dim. F	Dim. H	Exit M	Exit PG
1	490 133 450 644 000	490 135 450 644 000	44	70	82	73,5	45	57	ca. 22	M 32 x 1,5	29
2	491 133 450 644 000	491 135 450 644 000	57	82	94	73,5	45	57	ca. 30	M 32 x 1,5	29
3	492 133 450 644 000	492 135 450 644 000	77,5	105	117	76,5	45	57	ca. 30	M 32 x 1,5	29
4	493 133 450 644 000	493 135 450 644 000	104	132	144	78,5	45	57	ca. 30	M 32 x 1,5	29